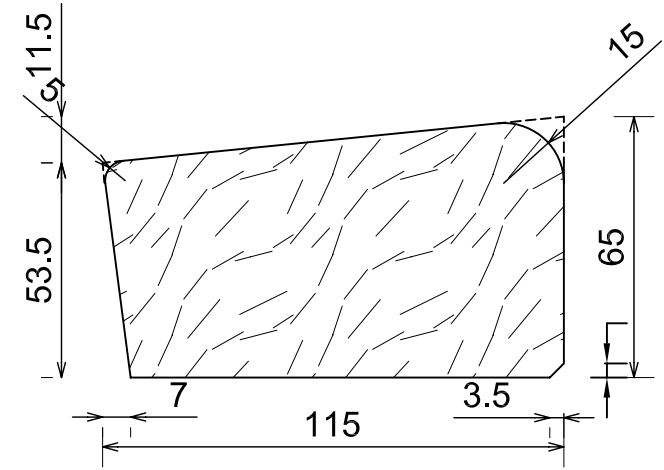
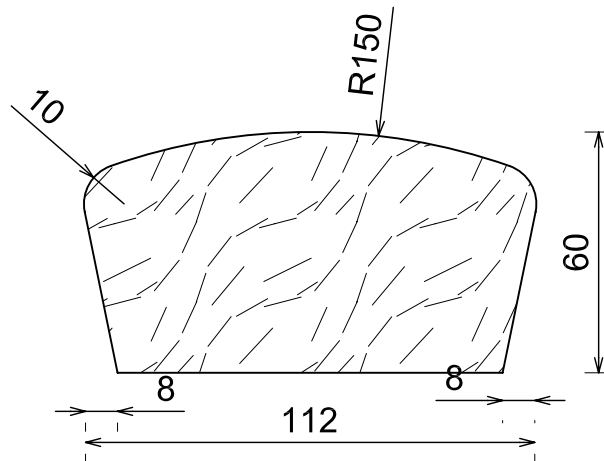


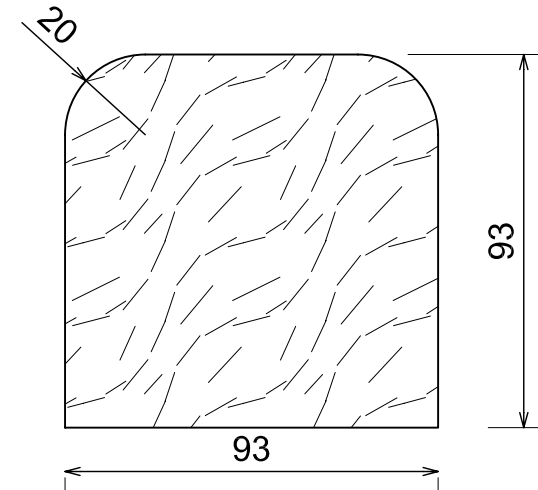
CUSTOM RAIL 1



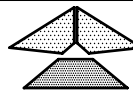
CUSTOM RAIL 2



CUSTOM RAIL 3



CUSTOM RAIL 4



**Outdoor Structures Australia**  
Practical solutions that enhance community design projects

Old College Road, Gatton, Queensland, Australia  
PO Box 517, Gatton, Queensland, Australia. 4343  
Ph: (07) 5462 4255 Fax: (07) 5462 4077  
Website: www.outdoorstructures.com.au

Date	CUSTOM HANDRAILS			Description
29/06/04				
Drawn				
E.M.S.				
Approved	Scale	Job No	Drawing No	
	N.T.S.		HR3	