

SPECIFICATION

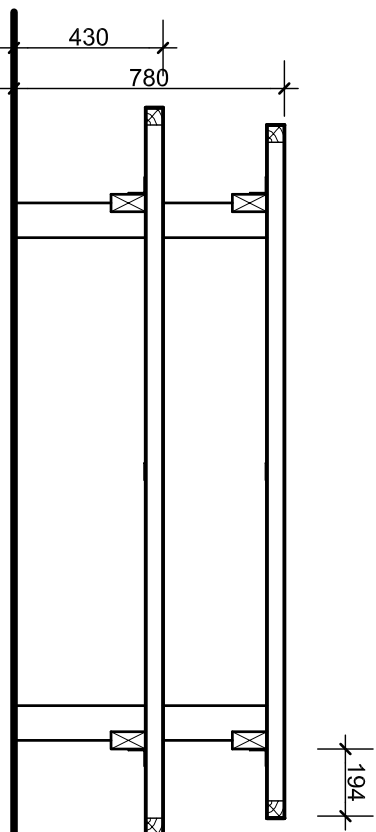
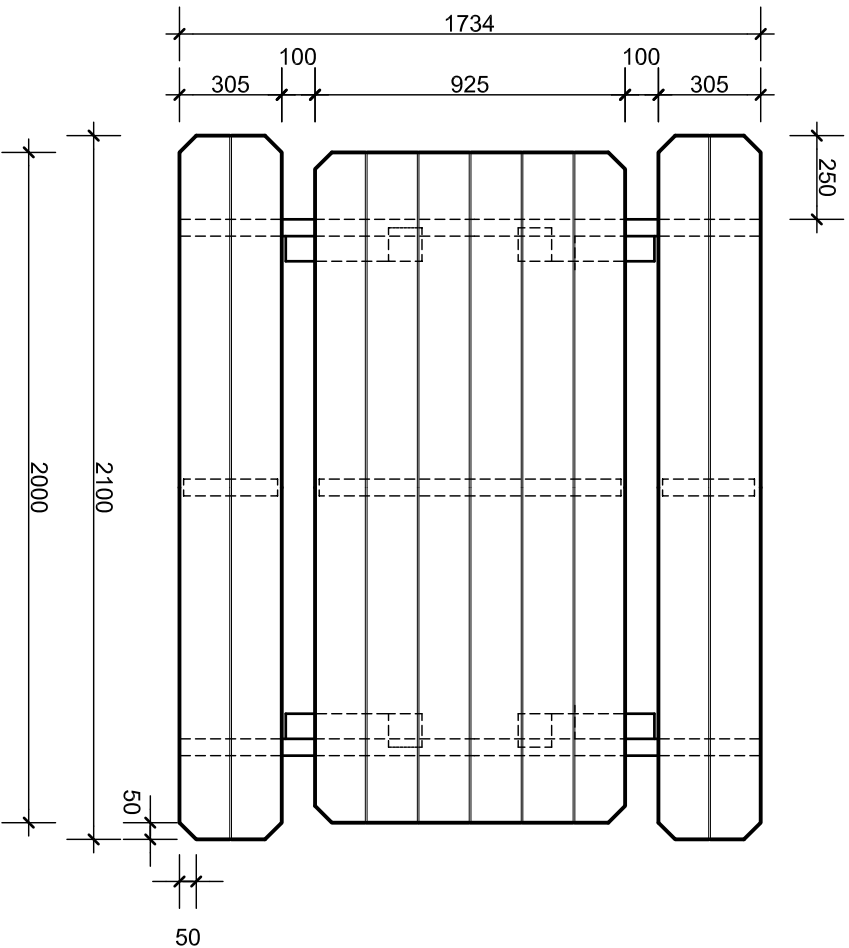
- TIMBER TREATMENT: FREE OF HEART . - SPOTTED GUM. PRESSURE TREATED WITH TANALISED ECOMOOD. LIFETIME GUARANTEE AGAINST TERMITES AND DECAY.
- CASTING SUPPLY HARDWARE: NIL REQUIRED. FULLY ASSEMBLED OR PART ASSEMBLED. STAINLESS STEEL BATTEN SCREWS / HOT DIP GALVANISED / VANDAL RESISTANT SCREWS.
- FIRE PROTECTION: SELECT HARDWOOD OVER PINE
- VANDALISM: SELECT HARDWOOD OVER PINE

RevNo Revision note

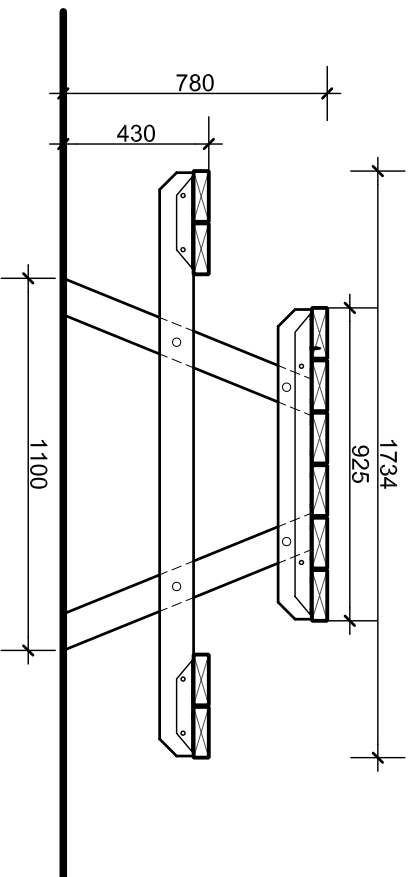
Date

Signature

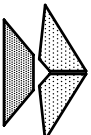
Checked



SIDE ELEVATION



END ELEVATION



Outdoor Structures Australia
Practical solutions that enhance community design projects

Old College Road, Gotton, Queensland, Australia
PO Box 517, Gotton, Queensland, Australia, 4343
Ph: (07) 5462 4255 Fax: (07) 5462 4077
Email: timber_tek@qnet.au Website: www.outdoorstructures.com.au

Date

FEB 2007

OUTDOOR STRUCTURES AUSTRALIA

Description

Drawn

E.M.S.

HARDWOOD FURNITURE
BLACKLAND RANGE BARBEQUE TABLE

Approved

E.M.S.

MODEL HD-006B

Scale

NOT TO SCALE

Job No

OSA

Drawing No

HD-006B