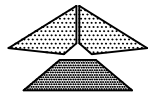
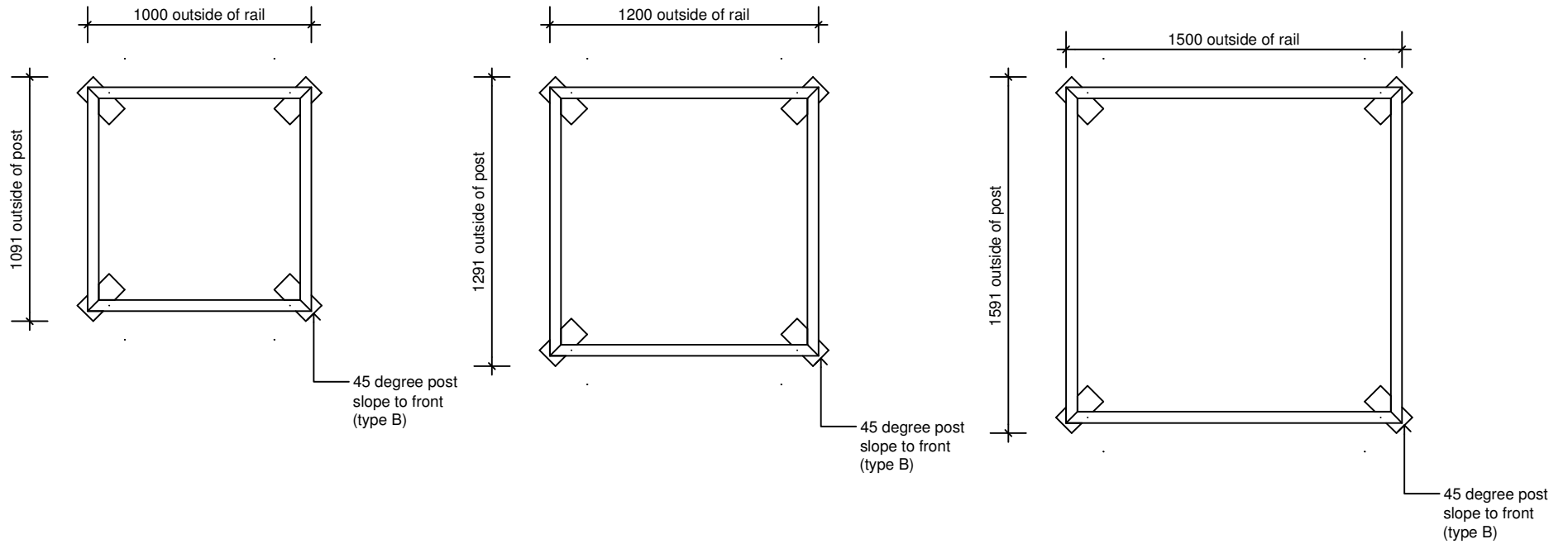


RevNo	Revision note	Date	Signature	Checked
A	ORIGINAL	22.10.08		



Outdoor Structures Australia
 Practical solutions that enhance community design projects

Old College Road, Gatton, Queensland, Australia
 PO Box 517, Gatton, Queensland, Australia. 4343
 Ph: (07) 5462 4255 Fax: (07) 5462 4077
 Email: timber.tek@uq.net.au Website: www.outdoorstructures.com.au

Date	22/10/08			OUTDOOR STRUCTURES AUSTRALIA	Description
Drawn	E.M.S.			STANDARD TREE SURROUNDS	
Approved	E.M.S.			HEAVY DUTY SERIES	
	Scale	Job No	Drawing No		
	N.T.S.	N/A	SURROUND		